

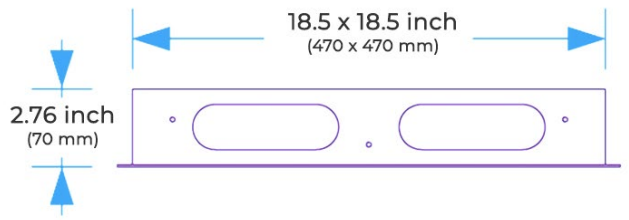
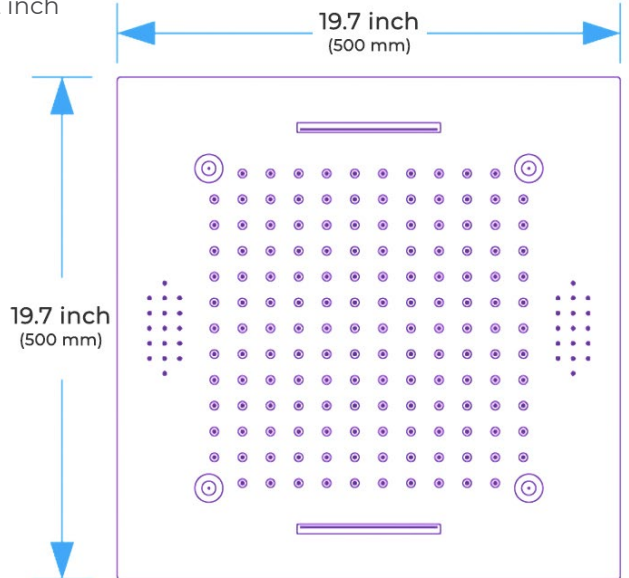
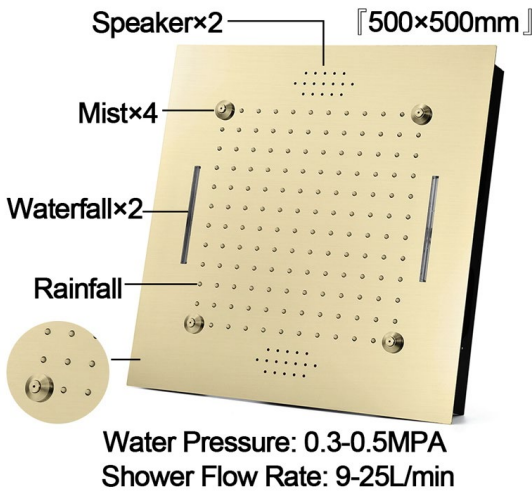
20" REMOTE CONTROLLED THERMOSTATIC RECESSED CEILING MOUNT LED RAINFALL WATERFALL MIST SHOWER SYSTEM WITH HANDHELD SHOWER AND JETTED BODY SPRAYS SPECIFICATIONS



Shower Head

Shower Head 3 Functions: Waterfall, Rainfall & Mist
 Shower head size: 20 x 20 inch
 Each function run all together and separately
 Music and LED light work by electronic
 All Metal Material: Solid Brass; Stainless Steel (top showerhead, hose)
 Shower Head Mounting: Flush on ceiling
 Hand Spray Hose: 59 inch
 Water flow: 2.5 GPM ~ 5.5 GPM
 Water pressure: 0.3 MPA ~ 1 MPA
 Water pipe lines: 3/4 inch water pipes for the hot and cold water mixer inlet, the others are 1/2 inch

304 Stainless Steel



Product shown is only for installation display purpose

64
 Kinds of color temperature adjustable

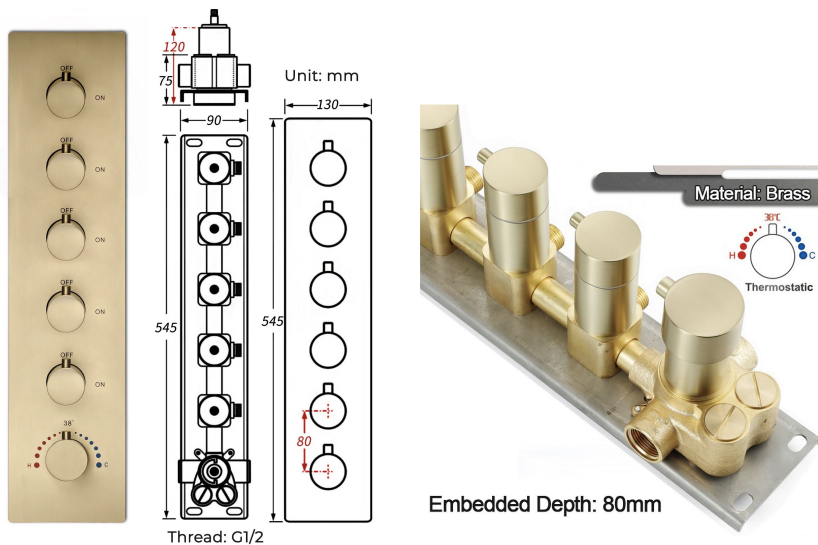
Remote control color

- 1: Turn ON/OFF
- 2: Color Touch Ring
- 5: Mode Switch
- 4/8: Dynamic Speed adjusting
- 3/6: Color Temperature adjusting
- 7/9: Dynamic Brightness adjusting



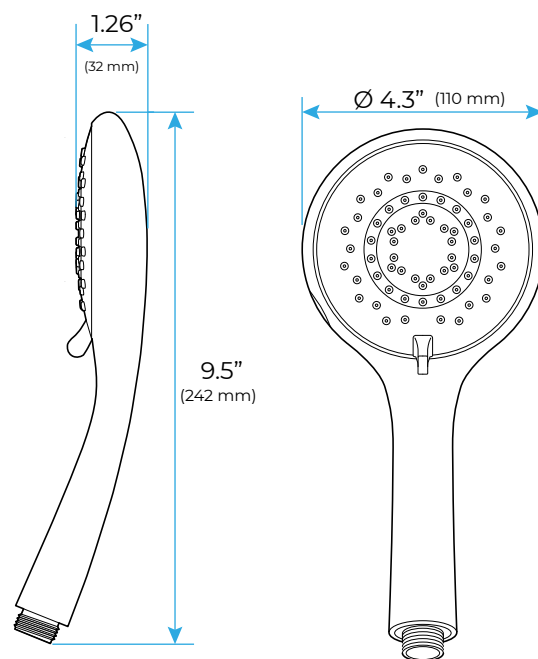
All dimensions and specifications are nominal and may vary. Use actual products for accuracy in critical situations.

Shower Mixer



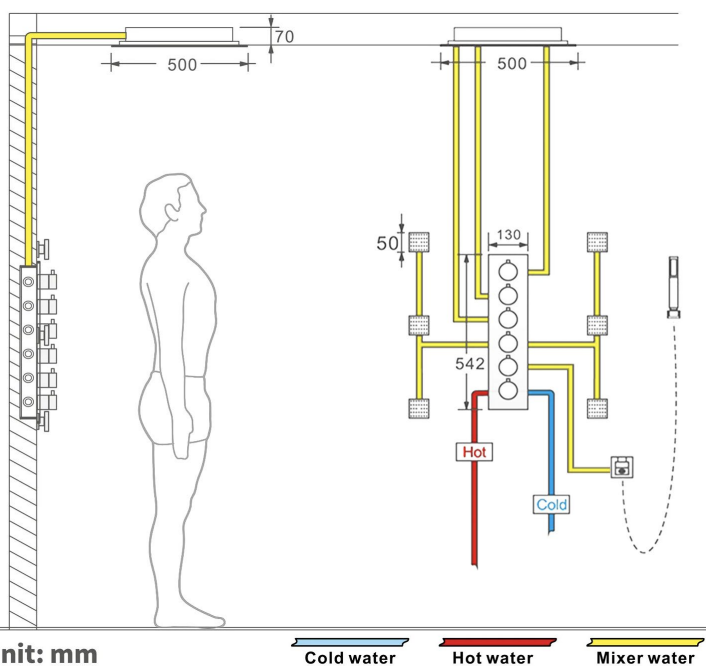
Product shown is only for installation display purpose

Hand Shower



Flow Rate: 2.0 GPM / 7.6 LPM

Shower Mixer Connections



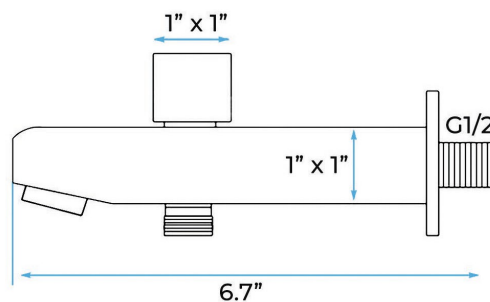
Unit: mm

Cold water

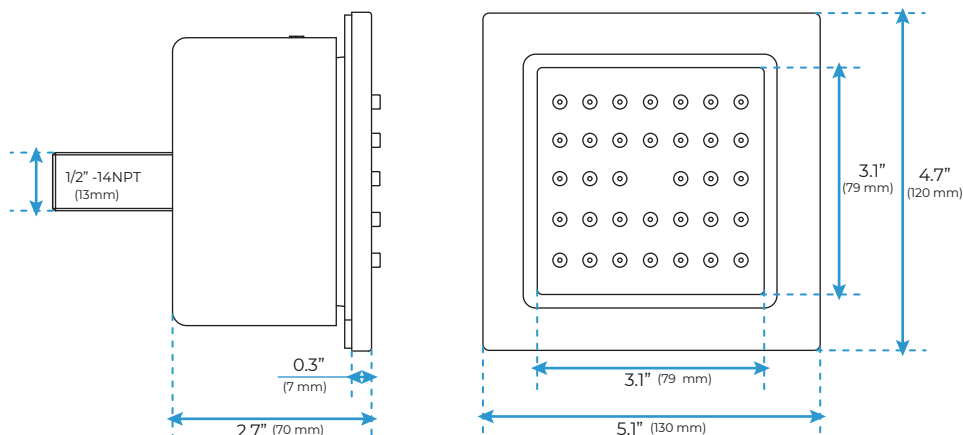
Hot water

Mixer water

Spout



Body Jet



FEATURES

Material: Brass

Base Plate Height: 5-1/8"

Base Plate Width: 5-1/8"

Jet Surface Area: 3-1/8"

Surface Depth: 1/4"

Adjustment Angle: 5°

Male NPT Connection: 1/2"

Maximum Flow Rate: 2.5 GPM (9.5L/min) max @ 80 psi